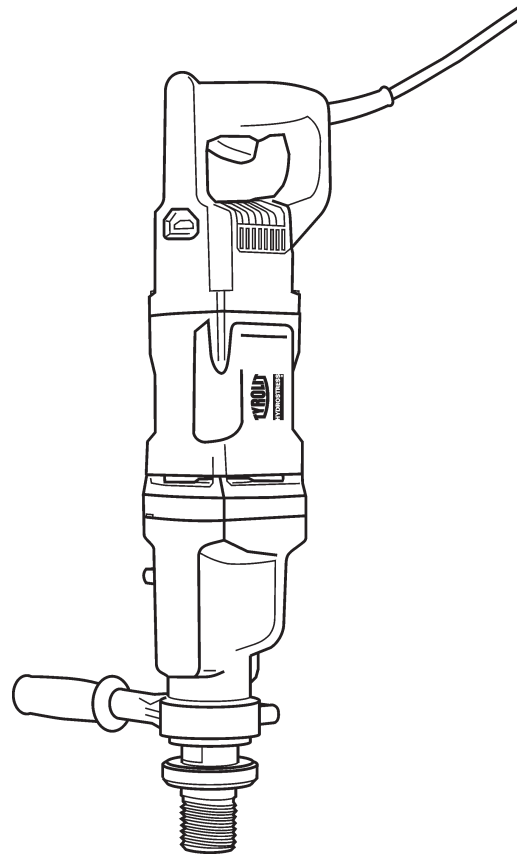


Operating Instructions

DME22SU★★

Index 000



Congratulations!

With a Hydrostress unit from TYROLIT you have chosen a tried and tested piece of equipment designed and built to the highest technical standards. Only genuine TYROLIT Hydrostress replacement parts can guarantee quality and interchangeability. If maintenance work is neglected or carried out inexpertly we will be unable to honour our warranty obligations. Any repair work must be carried out by trained personnel only.

Our after-sales service is available to help ensure that your TYROLIT Hydrostress units remain in perfect working order.

We hope that working with your TYROLIT unit will be a satisfying and fault-free experience.

TYROLIT Hydrostress

Copyright © TYROLIT Hydrostress

TYROLIT Hydrostress AG
Witzbergstrasse 18
CH-8330 Pfäffikon
Switzerland
Tel. 0041 (0) 44 952 18 18
Fax 0041 (0) 44 952 18 00

Table of contents

| | Page |
|--|------|
| 1. Concerning these instructions | 4 |
| 2. Safety | 5 |
| 3. Product description | 8 |
| 4. Design and Function..... | 11 |
| 5. Assembly / Disassembly | 13 |
| 6. Operation | 15 |
| 7. Servicing and Maintenance | 17 |
| 8. EC Declaration of Conformity | 18 |

1. Concerning these instructions



These instructions are just one part of the documentation which is supplied together with the electric tool.

These instructions go together with the "Core Drills Safety Manual / System Description" to form a complete set of documentation.

These instructions, together with the "Core Drills Safety Manual / System Description", are a constituent of the equipment. They describe how to use the equipment safely and properly in all phases of operation.

- Read the instructions carefully before use, particularly the safety instructions.
- Keep the instructions for the entire service life of the equipment.
- Ensure that the instructions are available to the operator and the service engineers at all times.
- Pass the instructions on to all subsequent owners or users of the equipment.
- Update instructions with all supplements received from the manufacturer.

1.1 Symbols in these instructions



DANGER

Warning of danger, where failure to comply could lead to death or serious injury.



WARNING

Warning of danger, where failure to comply could lead to injuries or damage to property.



WARNING

Warning - dangerous electrical voltage.

Before working in an area identified in this way, the installation or device must be fully disconnected from the power (voltage) and secured against being accidentally powered up again.



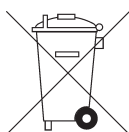
INFORMATION

Information for optimum use of equipment. Failure to take note of this information may mean that the performance information shown in the technical data can no longer be guaranteed.



RECYCLING

Take waste for recycling.



DISPOSAL

The normal national and regional rules and guidelines must be observed during disposal.

2. Safety

Core drilling systems may only be operated by authorised persons. Information about authorised persons can be found in the “Core Drills Safety Manual / System Description”.

2.1 Protective devices and signs on the equipment

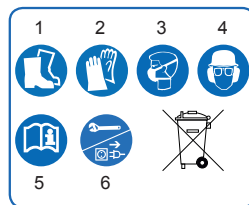
Protective devices

Protective devices may only be removed if the equipment has been switched off, disconnected from the mains and is at a standstill. Safety components in particular should only be removed and refitted by authorised personnel.

Before switching the equipment back on again, check that the safety elements are operating correctly.

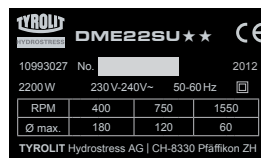
2.1.1 Signs on the equipment

Safety sign



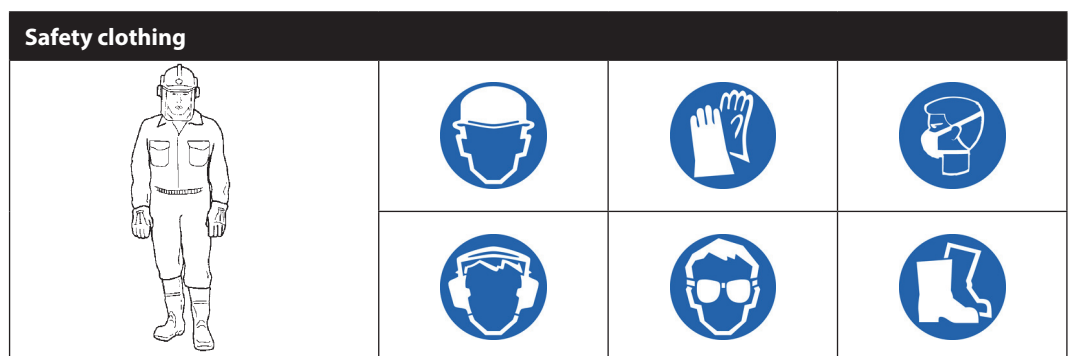
- | | | |
|---------------------|---|--|
| 1 Wear safety shoes | 3 Wear a breathing mask | 5 Read the instructions |
| 2 Wear gloves | 4 Wear a helmet, goggles and hearing protection | 6 Before working on the equipment unplug mains |

Name plate



2.1.2 Safety clothing

Anyone working with and on core drilling systems is strictly required to wear individual protective equipment.



Safety clothing

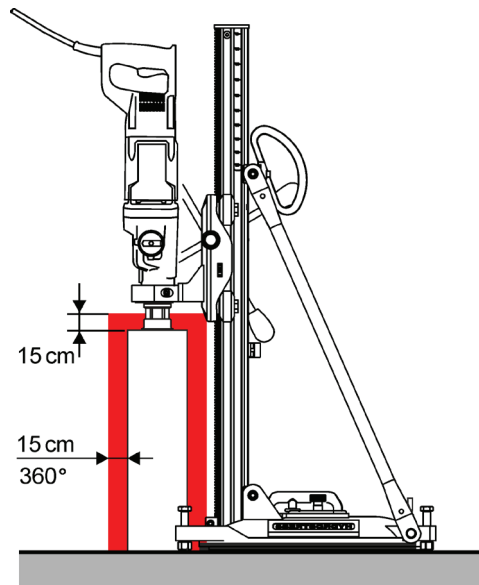
2.2 Spare parts and modifications

Only original spare parts from TYROLIT Hydrostress must be used. Otherwise damage may be caused to the equipment or to other property and persons. No additions or modifications must be made to the equipment without written permission from TYROLIT Hydrostress.

2.3 Danger and working area

2.3.1 Danger zone at electrical tool

The marked area on the drawing defines the danger zone of the electrical and cutting tool. The minimum clearance of 15 cm must be maintained during operation.



Danger zone at electrical tool

2.3.2 Danger zone at workplace

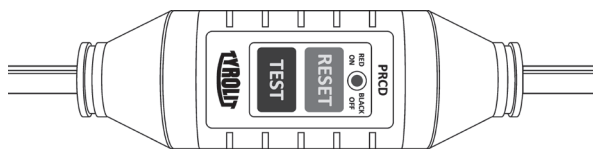


Information about the danger zone at the workplace can be found in the "Core Drills Safety Manual / System Manual".

2.4 Product-specific dangers

2.4.1 Personal protection device (PRDC, GFCI)

Only ever work if a serviceable current-operated personal protection device is present (PRCD, GFCI).



Personal protection device



DANGER

Failure to comply will result in a risk of death or serious injuries

- Keep your electrical tool away from rain and moisture. Water penetrating an electrical tool increases the risk of electric shocks.

2.4.2 Overhead drilling

- Overhead drilling is not permitted in wet conditions.

2.5 Residual risks

Risk of serious injuries from the residual risks described in the chapters that follow.

2.5.1 Diamond segments flying off

- ▶ Do not start drilling if any other persons are in the danger zone.
- ▶ Ensure that a safety distance is maintained.
- ▶ Replace the diamond drill bit if diamond segments start to break off.

2.5.2 Uncontrolled movements and vibration

- ▶ Never connect or disconnect cables during operation.
- ▶ Always hold portable drilling machine by the handles with both hands during operation. Thumbs and fingers must be closed around the handles.
- ▶ Keep handles clean.

2.5.3 Vibration

Vibration can cause circulation problems and/or nerve damage.

- ▶ Consult a doctor in the event of symptoms.

2.5.4 Catching and winding in

Items of clothing or long hair can be caught by the rotating cutting tool.

- ▶ Do not wear loose items of clothing at work.
- ▶ Wear a hair net if you have long hair.

2.5.5 Damaging vapours and aerosols

Inhaling damaging vapours and/or aerosols can cause breathing problems. Breathing in the water fog that is created is a health hazard.

- ▶ Wear a breathing mask.
- ▶ Provide adequate ventilation in confined spaces.

2.5.6 Physical condition

- ▶ Do not work whilst under the influence of alcohol, drugs or medication.
- ▶ Do not work when you are overtired.

2.5.7 Cutting tool quality

- ▶ Do not use damaged cutting tools.
- ▶ Check cutting tool for damage before installation.

2.5.8 Risk of cutting tool restart in the event of an accident

- ▶ Ensure that the electrical equipment can be stopped quickly.

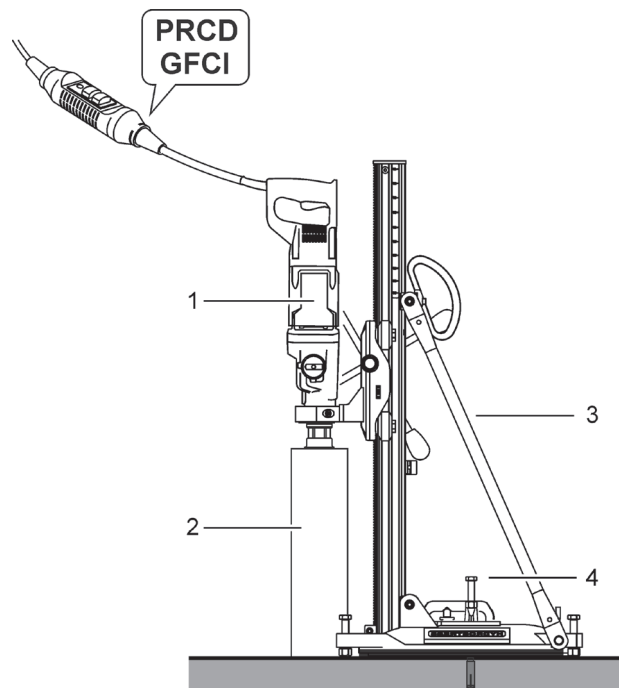


DANGER

Failure to comply with the safety instructions in the "Safety Manual / System Manual" may result in serious injury or even death.

- ▶ Please ensure that the "Core Drills Safety Manual / System Description" has been read and understood in full.

3. Product description



- | | |
|----------------------|-------------------|
| 1 Fastening elements | 3 Electrical tool |
| 2 Drill rig | 4 Cutting tool |

3.1 Core drilling system

This electrical tool forms a core drilling system in conjunction with suitable TYROLIT Hydrostress components.

3.2 Use for correct purpose

The DME22SU★★ electrical tools are intended for stand-controlled and manually controlled drilling into mineral subsurfaces using diamond drill bits. During stand-controlled operation a suitable drilling stand must be used and sufficient anchoring to the subsurface provided using dowels, a vacuum plate or a quick clamping support.


Manipulation or modifications to the equipment, the drilling stand or the accessories are not permitted. Always use original TYROLIT Hydrostress accessories and suitable tools during use in order to prevent injuries.

3.3 Scope of supply

- Drill motor
- Transport case
- WAF32 tool wrenches
- Water line adapter
- Adapter M16

3.4 Technical data and main dimensions

3.4.1 Technical data

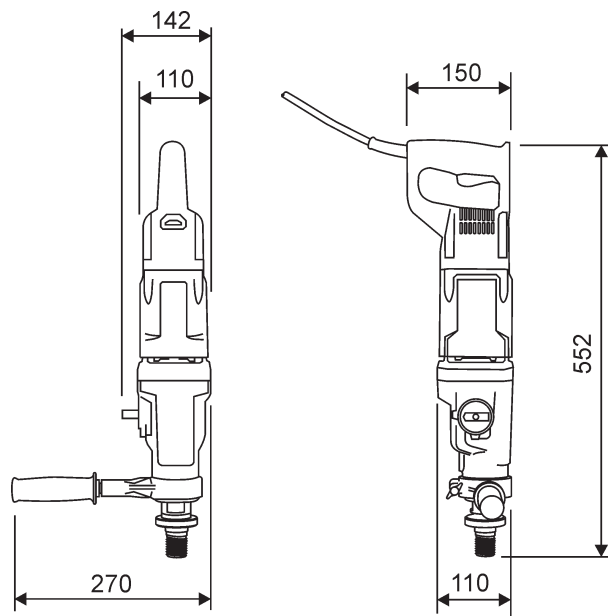
| Drill motors | DME22SU★★ | |
|--------------------------------|---|------------|
| Nominal voltage | 230 V | 110 V |
| Frequency | 50 - 60 Hz | 50 - 60 Hz |
| Drill diameter range | Concrete 20 - 160 mm | |
| | Masonry 20 - 180 mm | |
| Nominal power | 2.2 kW | |
| Nominal current | 9.5 A | 20 A |
| Electric protection class | protection class II  | |
| On-load speed | 400/750/1150 rpm | |
| Idle speed | 850/1640/3450 rpm | |
| Engine cooling | Air | |
| Tool fitting (external) | 1¼" UNC | |
| Tool fitting (internal) | G ½" | |
| Operation | Manually controlled / drill rig-controlled | |
| Application | Wet / dry | |
| Electronic overload protection | Yes | |
| Mechanical overload protection | Yes | |
| PRCD protective switch | Yes | |
| Drill stand holder | Clamping collar | |
| Weight | 6.0 kg | |

Noise emission and vibration

| Noise data according to ISO 3744 | |
|----------------------------------|-------------|
| Parameter | Value |
| Sound pressure level L_{pA} | 79 dB (A) * |
| Sound power level L_{WA} | 90 dB (A) * |

| Vibration (EN ISO 5349) | |
|--------------------------------|------------------------|
| Parameter | Value |
| Total vibration value a_{hv} | < 2.5 m/s ² |

3.4.2 Measurements



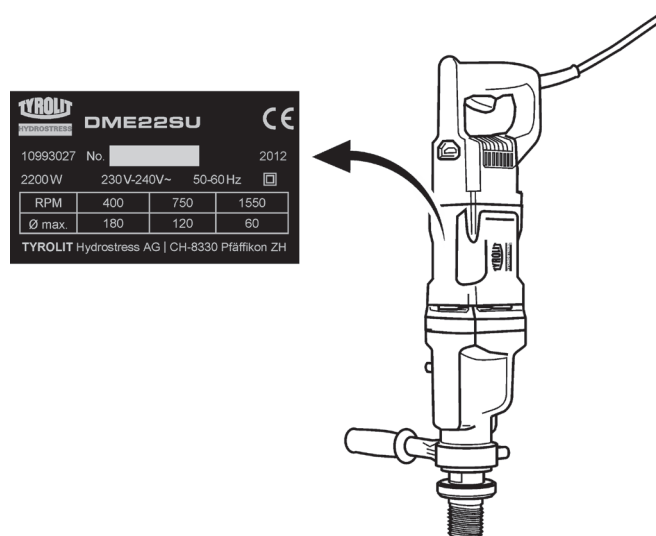
Measurements in mm

3.7 Lubricants, fluids

| Lubricants, fluids and sealants | |
|---------------------------------|--|
| Parameter | Value |
| Gear oil | ISO 220 (TYROLIT No. 10993698 / 200ml) |

3.8 Name plate

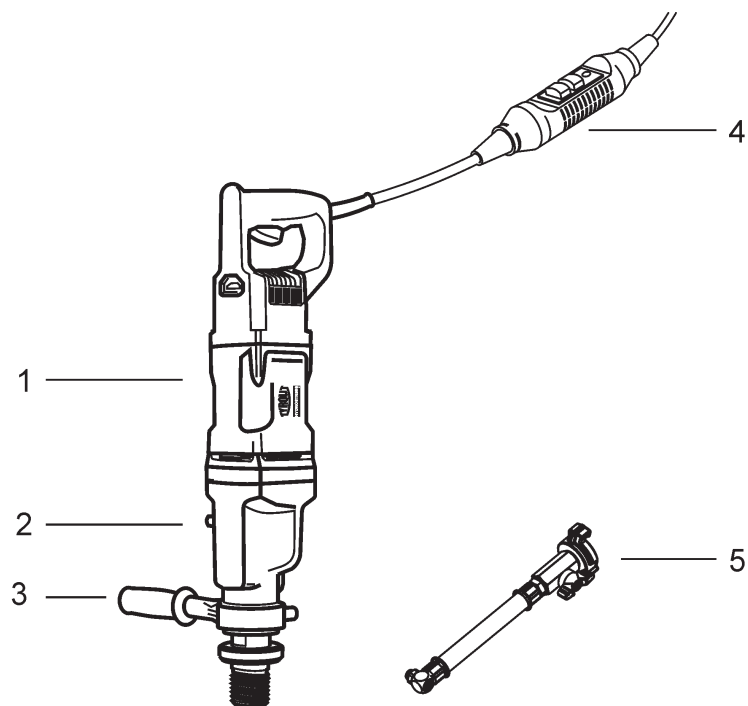
The type designation and serial number are marked on the name plate of your electrical tool.



Name plate

4. Design and function

4.1 Design



Design

- 1 Motor
- 2 Gearbox
- 3 Handle

- 4 Personal protection device
- 5 Water connection

4.2 Function

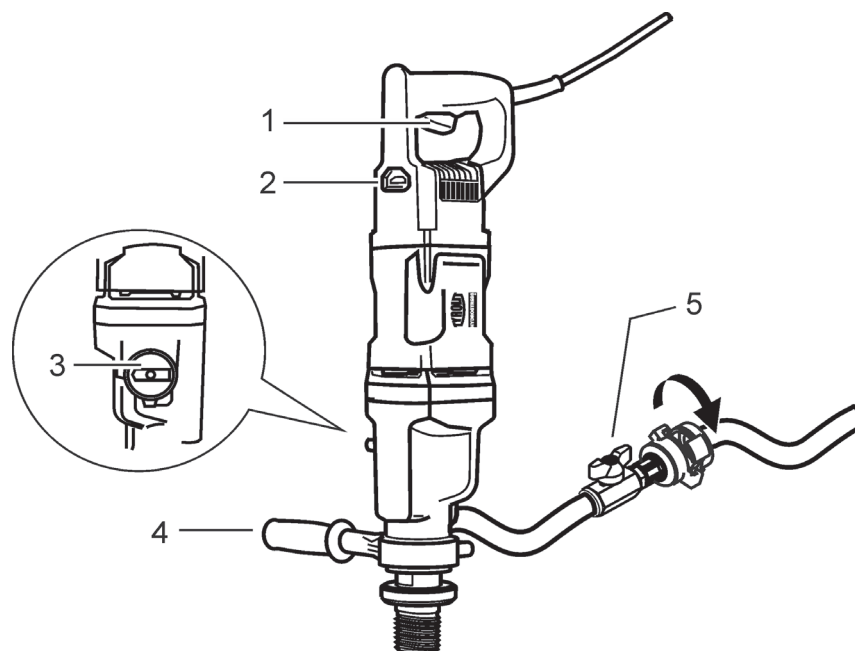
4.2.1 Functional description

The drilling spindle of the electrical tool is powered by an electric motor via a mechanical manual gearbox. The optimum speed of the cutting tool is set using the gears of the gearbox. The electric motor is air-cooled.

Working with the electrical tool is protected by a current-operated personal protection device (PRDC, GFCI).

4.3 Operating elements and displays

4.3.1 Controls

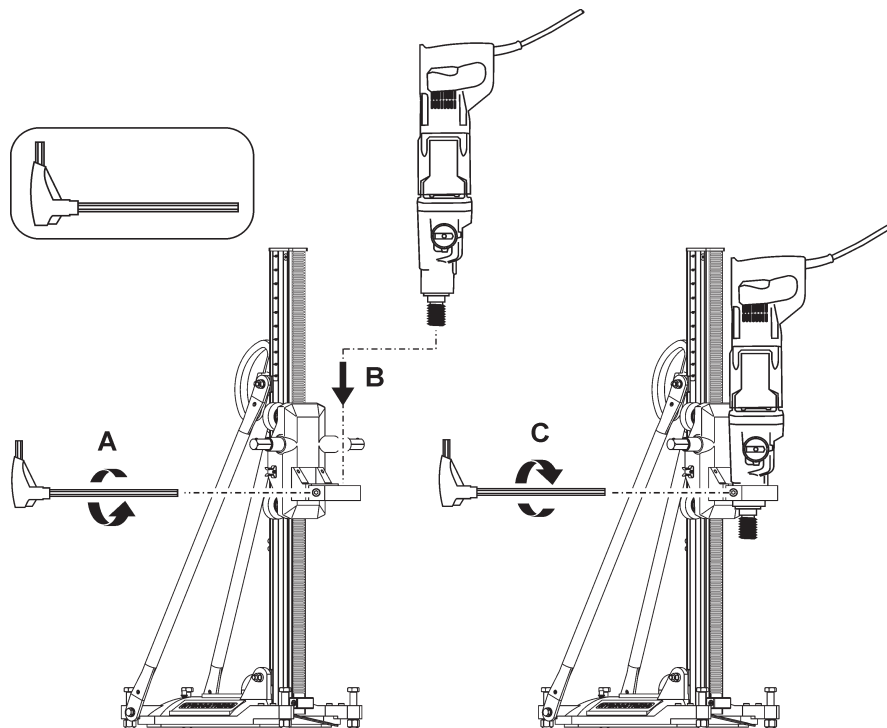


Operating elements

- | | |
|------------------------|----------------------------------|
| 1 Start switch | 4 Handle |
| 2 Operating handle | 5 Main water valve On/Off switch |
| 3 Rotary switch / gear | |

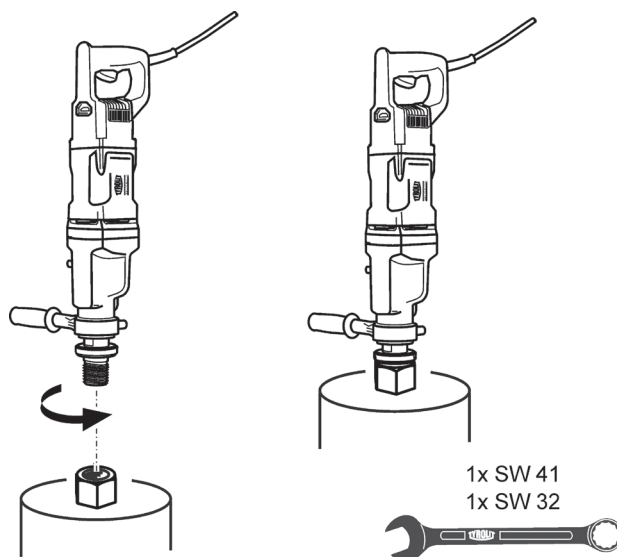
5. Assembly / Disassembly

5.1 Drill rig interface



Drill rig interface

5.2 Cutting tool interface



Cutting tool interface

5.3 Power supply



INFORMATION

- The power supply must correspond with the information on the type plate.
- Protect the connecting cables from heat, oil and sharp edges.
- Do not use connecting cables for unsuitable purposes.
- Never carry the electrical tool using the connecting cable.
- Do not use the connecting cable to pull the plug out of the socket.
- In the event of power failure: switch of electrical tool, pull out the plug.

Extension cable



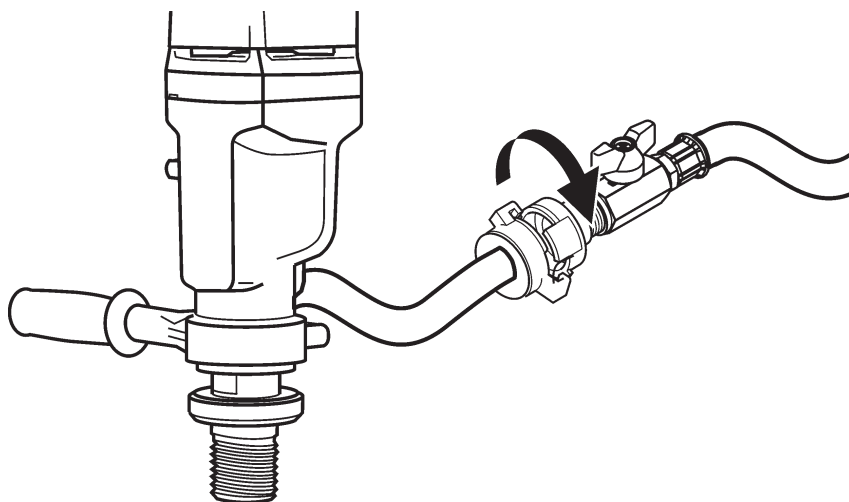
- Only use approved and appropriately marked extension cables outdoors.
- Extension cables with multiple sockets and simultaneous use of multiple devices must be avoided.

Always use an extension cable that is approved for the usage area with a sufficient cross-section.

Do not use an extension cable with a conductor cross section of 1.25mm² and 16 AWG.

| Recommended minimum cross-sections and maximum cable lengths | | | | | |
|--|---------------|---------------|---------------|------|------|
| Cross section mm ² | 1.5 | 2.0 | 2.5 | 3.5 | 4.0 |
| 110 V | not permitted | not permitted | not permitted | 20 m | 20 m |
| 220 V-240 V | 20 m | - | 40 m | 50 m | 60 m |

5.4 Water connection



Water connection

6. Operation



DANGER

- Never work without suitable safety equipment.
- Always wear hearing protection.
- Remove adjusting and installation tools before switching the electrical tool on.
- Never work on ladders.
- Keep children away from the electrical tool and the working area.
- Avoid abnormal postures.
- Ensure that you have firm footing, and keep your balance at all times.
- Avoid body contact with earthed surfaces such as pipes, heaters, ovens and refrigerators.
There is an increased risk of electric shock if your body is earthed.

6.1 Settings

6.1.1 Gears

Position the selector switch in accordance with the required drilling diameter. Never use force to move the switch, and only move it if the electrical device is slowing down or stopped.

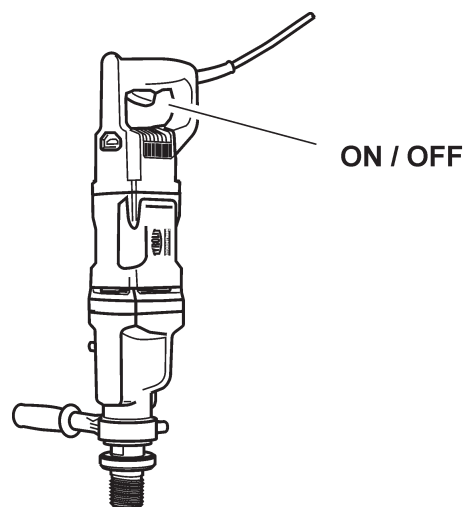
6.1.2 Water supply

Ensure that water supply is provided.

6.2 Start / switch on electrical tool

- ✓ The electrical tool is correctly fitted to the drilling stand.
- ✓ The cutting tool is firmly screwed to the electrical tool.
- ✓ The electrical tool is correctly attached to the power supply.
- ✓ The power supply is monitored by the PRCD residual current circuit breaker.
- ✓ The water supply is attached, and the cutting tool is being supplied with water.

- ▶ Start motor using the On/Off switch.



Start the electric tool

6.3 Monitoring, checking

6.3.1 Residual current circuit breaker

- ▶ Switch on and check PRCD residual current circuit breaker

Checking procedure:

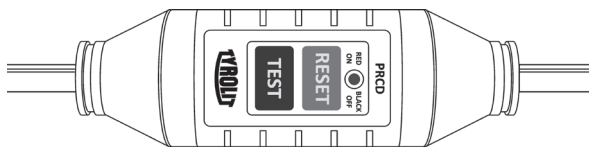
- ▶ Plug the electrical tool into a socket with an earth connection.
- ▶ Press the Reset button on the PRCD residual current circuit breaker (indicator must illuminate).
- ▶ Press the Test button on the PRCD residual current circuit breaker (indicator must go off).



DANGER

If the indicator does not go off, the device must not be used. The electrical tool must be repaired by qualified experts using original spare parts.

- ▶ Press the Reset button on the PRCD residual current circuit breaker (indicator must illuminate).



Residual current circuit breaker

6.4 Malfunctions

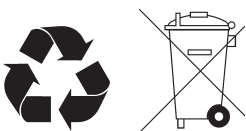
| Malfunctions | | |
|---|--|---|
| Malfunction | Possible cause | Remedy |
| The electrical tool cannot be started | Mains cable is defective | ▶ Contact TYROLIT Hydrostress AG aftersales |
| | Faulty power supply | ▶ Check power supply |
| | Electric motor or electronics faulty | ▶ Contact TYROLIT Hydrostress AG aftersales |
| Electrical tool starts up and then switches off again | Fuse of building site power supply trips | ▶ Fuse too weak, replace power supply |
| Motor running but drill bit not rotating | Gear speed selector | ▶ Check position |
| | Defective gears | ▶ Contact TYROLIT Hydrostress AG aftersales |
| Unable to fit cutting tool | Thread dirty | ▶ Clean and grease thread |
| | Thread defective | ▶ Contact TYROLIT Hydrostress AG aftersales |
| Water coming out of housing (relief drilling) | Shaft sealing ring defective | ▶ Contact TYROLIT Hydrostress AG aftersales |
| Water coming out of housing (relief drilling) | Shaft sealing ring defective | ▶ Contact TYROLIT Hydrostress AG aftersales |
| No water emerging | Water valve on feed line is closed | ▶ Open water valve |
| | Water line is blocked | ▶ Clean the water line |
| | Defective water valve | ▶ Contact TYROLIT Hydrostress AG aftersales |
| | Insufficient water pressure | ▶ Check water circuit |

7. Servicing and maintenance

Unplug the equipment before carrying out maintenance or repair work.

| Servicing and maintenance table | | Before each use | At end of work | Weekly | Yearly | After faults | After damage |
|-----------------------------------|--|-----------------|----------------|--------|--------|--------------|--------------|
| Drive motor | <ul style="list-style-type: none"> ▶ Tighten loose screws and nuts ▶ Check cleanliness | X | | | | X | X |
| Drill bit thread | ▶ Grease | | | X | | | |
| | <ul style="list-style-type: none"> ▶ Check for damage ▶ Check cleanliness | X | X | | | X | X |
| Drilling spindle | ▶ Oil | | | X | | | |
| Cables, switches, plug-in devices | <ul style="list-style-type: none"> ▶ Check for damage ▶ Check cleanliness | X | X | | | X | X |
| Water economy | ▶ Check the water line for cleanliness and leak-tightness. | X | | | | X | X |
| | ▶ Blow out water | | X | | | | |
| Service | ▶ To be performed by TYROLIT Hydrostress AG or an authorised workshop. | Yearly | | | | | |

7.1 Take waste for recycling



TYROLIT Hydrostress tools are manufactured using a high proportion of recyclable materials. A prerequisite for recycling is proper material separation. In many countries, TYROLIT is already prepared for taking back your used equipment for recycling. Contact TYROLIT customer service or your sales adviser.

8. EC Declaration of Conformity

| | |
|------------------|----------------------|
| Description | Electric drill motor |
| Type designation | DME22SU★★ |

We declare under our sole responsibility that this product complies with the following directives and standards:

Applied directions

| | |
|------------|------------|
| 2006/42/EG | 17.05.2006 |
| 2014/30/EU | 26.02.2014 |
| 2011/65/EU | 08.06.2011 |

Applied standards

EN ISO 12100:2010
EN 62841-1:2015
EN 62841-3-6 : 2014

TYROLIT Hydrostress AG
Witzbergstrasse 18
CH-8330 Pfäffikon
Switzerland

Pfäffikon, 12.05.2017



Pascal Schmid
Development Manager



